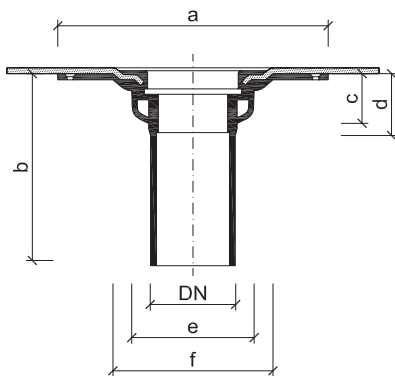


Heated extended single-wall roof outlets TOPWET TWJE

BASIC INFORMATION

purpose	drainage of flat roofs, terraces and balconies with electric heating
material	outlet body – polyamide PA6, protective basket – polyamide PA6
integrated connection sleeve	BIT – modified bitumen strip SBS, PVC – mPVC based foil, TPO – thermoplastic (flexible) polyolefin, EPDM – synthetic rubber foil, PE – polyethylene foil, STE – a sleeve for connecting of waterproofing screed
colour	grey
load category	H 1,5
certification	EN 1253-2:2015 - Gullies for buildings - Part 2: Roof drains and floor gullies without trap
manufacturer	TOPWET s.r.o., náměstí Viléma Mrštíka 62, 664 81 Ostrovačice, Czech Republic

TECHNICAL PARAMETERS

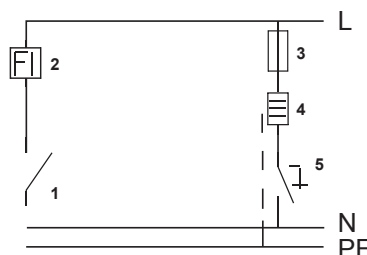


Heated extended single-wall roof outlets

Type	DN	Dimensions [mm]					
		a	b	c	d	e	f
TWJE 50	50	330	400	80	90	200	160
TWJE 75	70	330	400	80	90	200	160
TWJE 90	90	330	400	80	90	200	160
TWJE 110	100	330	400	80	90	200	160
TWJE 125	125	330	400	80	90	200	160
TWJE 160	150	342	400	90	120	265	205

HEATING PARAMETERS

- Connection is made in the electrical box under the roof structure
- The supply cable length for the outlet is 1,5 m (kabel CYKY 3x1,5 mm)
- Wiring connection: yellow and green – guard black – phase, blue - neutral
- Alternating voltage: 230 V, 50 Hz
- Input: variable, according to the ambient ambient temperature, approx: 4 W at 20°C / 7 W at 0°C / 12 W at -20°C
- Max. current surge: 400 mA
- Enclosure rating: IP 67



- 1 – main switch
- 2 – current protection
- 3 – circuit breaker
- 4 – roof outlet
- 5 – thermostat or switch
- L – phase (black)
- N – neutral (blue)
- PE – guard (green and yellow)